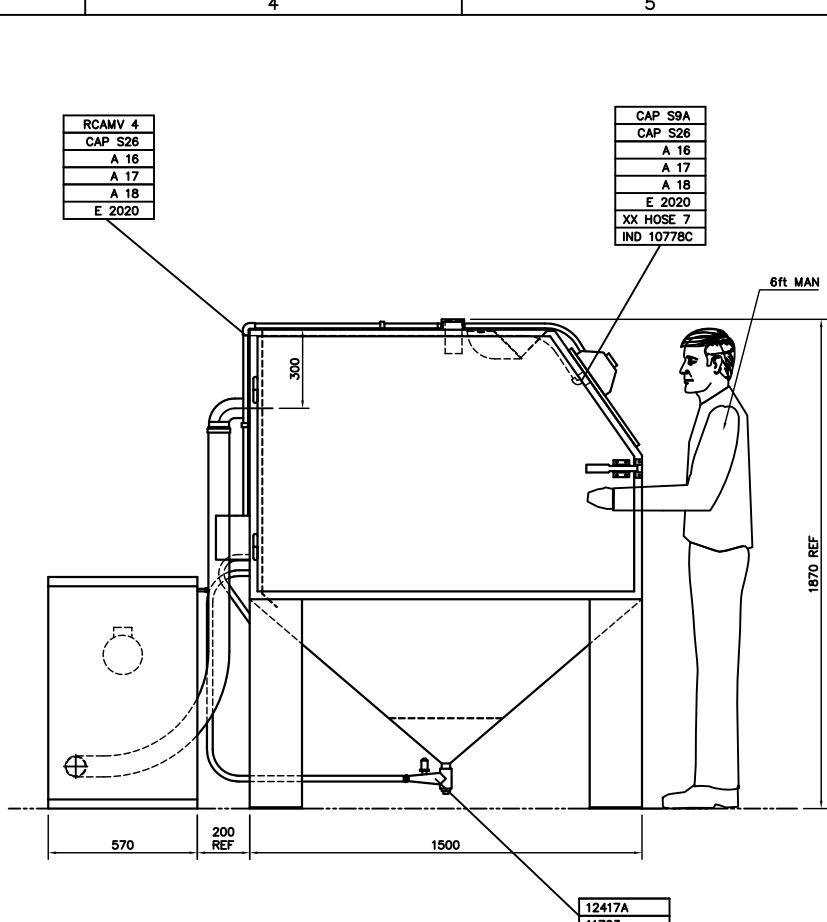
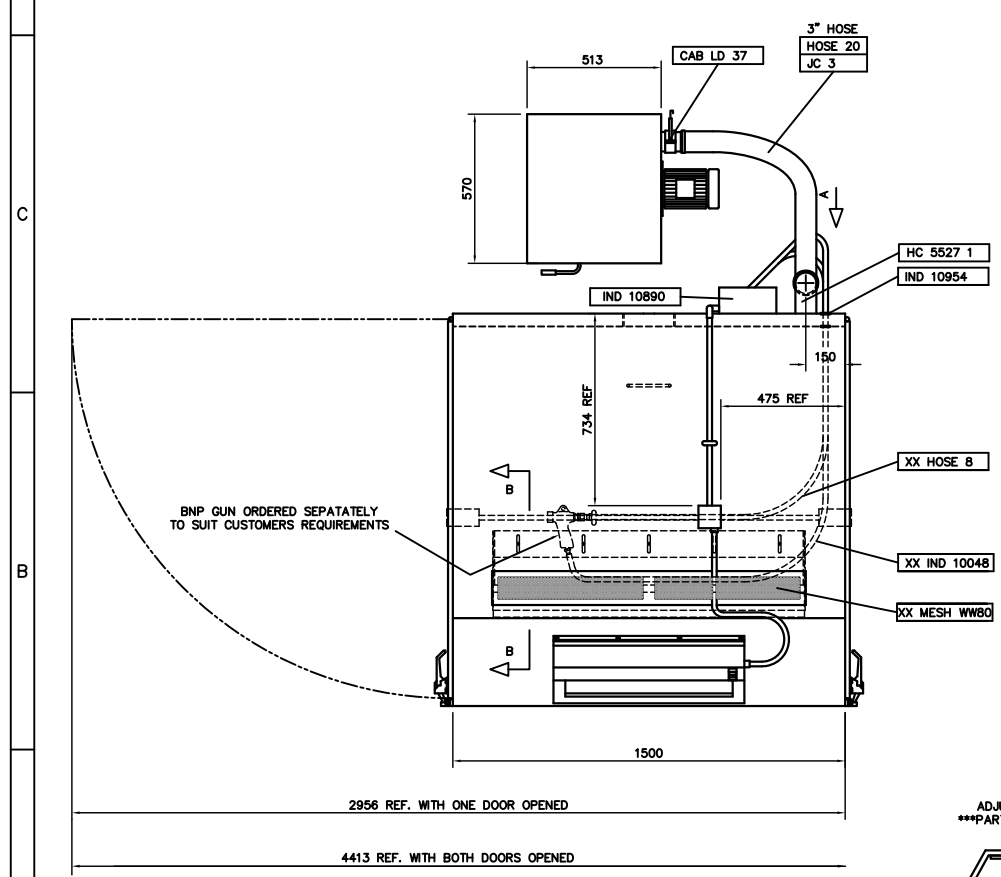


FRONT VIEW



SIDE VIEW



PLAN VIEW

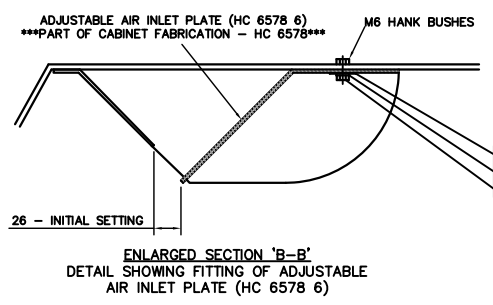
**ELECTRICAL REQUIREMENTS**  
 FAN MOTOR - 0.75 KW ~ 415 V / 3 PH / 50 Hz - 1.7A FLC  
 LIGHT MODULE - 36 W (2 x 18 W) ~ 240 V / 1 PH / 50 Hz  
 SOLENOID VALVE ~ 240 V / 1 PH / 50 Hz (IND 1500COMP XE1)

**AIR REQUIREMENTS**  
 AIR SUPPLY ~ 80 PSI - CONSUMPTION AT 80 PSI  
 5/16" JET = 33 CFM

**PAINT SPECIFICATION**  
 CLEMCO PREP & PAINT SPEC. RAL6003 (SPRUCE GREEN)

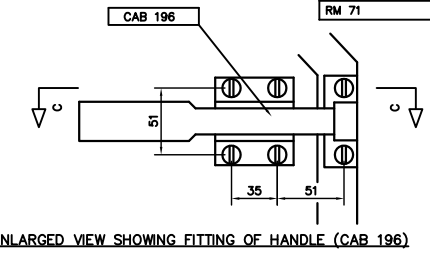
**REFERENCE DRAWINGS**  
 FOR ELECTRICAL DIAGRAM SEE HC-5414  
 FOR PNEUMATIC DIAGRAM SEE HC-3118

**TECHNICAL SPECIFICATION**  
 1. NOMINAL WORK CHAMBER SIZE = 1500(W) x 1450(D) x 1000(H)  
 2. MAXIMUM WORKTABLE CAPACITY = 100 KG  
 3. MINIMUM INTERIOR ILLUMINATION = 500 LUX.  
 4. BLOW-OFF GUN SUPPLIED OPTIONAL (IND 1500COMP XE1)  
 5. AIR REGULATOR/WATER SEPARATOR SUPPLIED AS STANDARD  
 6. 6 mm THK CLEAR POLISHED GEORGIAN WIRED GLASS TO BS 952 VIEWING WINDOW.  
 7. SAFETY DOOR INTERLOCKS OPTIONAL (IND 1500COMP XE1)

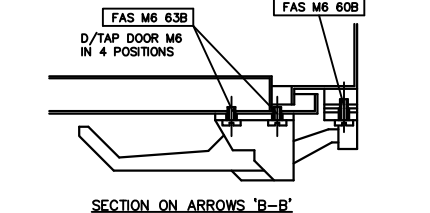


ENLARGED SECTION 'B-B' DETAIL SHOWING FITTING OF ADJUSTABLE AIR INLET PLATE (HC 6578 6)

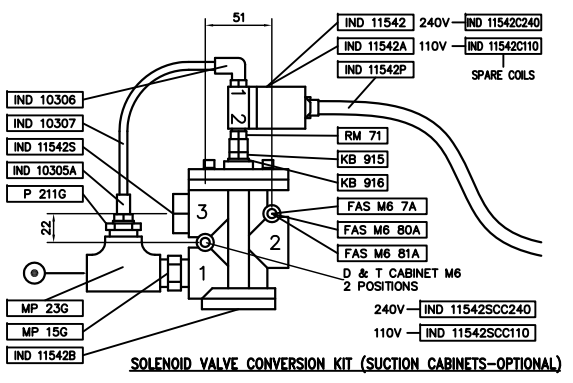
PROD. CODE	DESCRIPTION	PROD. CODE	DESCRIPTION
IND 10825	CONDUIT ADAPT.STR.SWIV.SP20M20	11723	ZERO-STEEL FITTING SWIVEL
IND 10890	CONTROL PANEL - 0.75KW C/W ISOL.	12417A	VALVE MEDIA METER ASSY.
JC 3	HOSE CLIP WORM DRIVE 70 - 89	BW 3	COUPLING - 1/2" MALE
JC 4	HOSE CLIP WORM DRIVE 95 - 114	CAB 16	LIGHT FITTING
KB 48	1/4" X 3/8" NIPPLE	CAB 196	LATCH - A2 DRAW STYLE (YELLOW)
MP 1	VALVE - 1/2" BALL VALVE	CAB 383FG	VALVE - 3/8" 5/2 FOOT/SPRING
MP 15	NIPPLE - 1/2" M/I	CAB 73A	ENCLOSURE 80mm x 82mm x 85mm
RCAMV 10	TEE 1/4" BR F	CAB A3	ADAPTOR - 1/2" x 1/2" HOSE
RM 23	ADAPTOR 1/4"x1/4"	CAB LD16 800	FILTER/REGULATOR - 1/2"
XX HOSE 7	AIR HOSE 1/4"ID BLUE BARE	CAB LD 34	ANTI ETCH SCREEN (5 PER SET)
XX HOSE 8	AIR HOSE 1/2"ID BARE	CAB LD 37	BLAST GATE DAMPER - 3"
XX IND 10048	HOSE - 1/2" 1/D MATERIAL	CAB LD 7	ADAPTOR NIPPLE 1/4" x 1/2"
XX MESH WW80	MESH - 80 MESH/INCH	CAP S26	ELBOW 1/4" BR F
		CAP S9A	GAUGE - PRESSURE 1/4" PANEL MT
		CHT 3	CABLE TIE
IND 10122A	BLOW OFF NOZZLE - 1/4"	CAB250T	DUST COLLECTOR - 0.75KW
IND 10134	INTERLOCK SWITCH - CABINET	E 2020	CLAMP - 1/2" HOSE
IND 10151	ZERO INTERLOCK BRACKET L	FAS M6 11A	HEX. HEAD SET SCREW X 16L
HC7905	FILTER HOUSING - "HEPA" FILTER	FAS M6 60B	SCREW - PAN HEAD x 16 LG
HEPA2	HEPA FILTER - 305 x 305 x 150	FAS M6 63B	SCREW - PAN HEAD x 10LG
		FAS M6 80A	WASHER - PLATED
		FAS M6 83	MUDWING WASHER
IND 10305A	ADAPTOR - 1/4" x 6mm STRT P.I	HC 5068	CABINET ARM HOLES - PLASTIC
IND 10306	ADAPTOR - 1/8" x 6mm P.I. ELB.	HC 5132	LIGHT MODULE FABRICATION
IND 10307	TUBE - 4mm 1/D NYLON	HC 5372 1	SPIGOT - 3" FLANGED
IND 11542	VALVE - 1/8" 3/2 SOL/SPR 240V	HC 5527 1	SPIGOT - 3" FLANGED x 90 DEG.
IND 11542A	VALVE - 1/8" 3/2 SOL/SPR 110V	HC 6578	CABINET FABRICATION - 1500 SUCTION
IND 11542B	VALVE - 1/2" 3/2 PILOT/SPRING	HOSE 20	HOSE - 3" FLEXIBLE RUBBER STD
IND 11542C10	COIL - 110V AC	IND 10087	CONDUIT - 21mm O/DIA NYLON
IND 11542C20	COIL - 240V AC	IND 10123	SLEEVE/GLOVE ASSEMBLY - PAIR
IND 11542P	PLUG - DIN W/1m MOULDED CABLE	IND 10168AL	ADAPTOR 21mmO/D x M20 STRAIGHT
IND 11542S	SILENCER - 3/4"	IND 10178	MOUNTING PAD
KB 915	NIPPLE 1/4" HP M/S	IND 10181	CONDUIT - 20mm O/DIA M.S.
KB 916	SEAL 1/4"	IND 10182	ELBOW - 20mm O/DIA CONDUIT
MP 15G	NIPPLE 1/2" M.I. GALV	IND 10183	COUPLER - 20mm O/DIA CONDUIT
MP 23G	TEE 1/2" F M.I. GALV	IND 10184	BUSH - 20mm HEX SHORT MALE
P 211G	BUSH 1/2" x 1/4" M.I. GALV	IND 10187	SADDLE - 20mm CONDUIT
RCAMV 9	ADAPTOR NIPPLE - 1/8" x 1/4"	IND 10189	TERM BOX-75x75x37 MS
RM 71	ADAPTOR UNION - 1/8" x 1/4"	IND 10679	PUSH-BUTTON ASSEMBLY DOUBLE
		IND 10823	CONDUIT - FLEXIBLE SP20
		IND 10824	CONDUIT ADAPTOR STR. SP20/M20



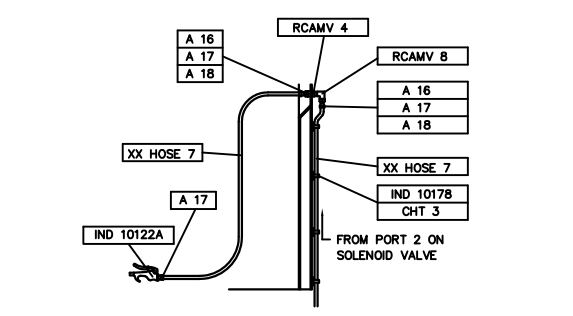
ENLARGED VIEW SHOWING FITTING OF HANDLE (CAB 196)



SECTION ON ARROWS 'B-B'



SOLENOID VALVE CONVERSION KIT (SUCTION CABINETS-OPTIONAL)



BLOW-OFF GUN ASSEMBLY - (OPTIONAL)

ISSUE No	MOD. No	DRAWN	CHECKED	DATE
2	4145	A.M.		14.07.2004
1	ORIGINAL	A.M.		22.11.2000

**GENERAL NOTES**

- 1) MATERIAL: COLD ROLLED MILD SHEET TO BS 1449 GRADE CR4 OR EQUIVALENT; HOT ROLLED MILD STEEL SECTIONS TO BS 4360 GRADE 43A OR EQUIVALENT. FINISH: SELF-COLOUR FOR PAINTING.
- 2) REMOVE ALL SHARP EDGES AND BURRS.
- 3) JOINTS AND CONSTRUCTION TO SUIT MANUFACTURERS' STANDARD PROCESSES.
- 4) DIMENSIONS AND TOLERANCES TO BS 308.
- 5) MACHINED SURFACES UNLESS STATED.
- 6) THREADS TO BS 3643 6H/6g OR BS 21 UNLESS STATED.
- 7) \*
- 8) \*
- 9) \*

**WELDING**

WELDING GENERALLY TO BS 5135 CAT. C & BS 4872 PT. 1 ALL JOINTS & CONNECTIONS OF R.S. SECTIONS CONTINUOUS PLATE TO R.S. SECTION INTERMITTENT 75 WELD 100 GAP  
 PLATE THICKNESS 1.6; 2.5; 3.5; 5; 6; 8; 10 12 PLATE OVER 12  
 WELD SIZE 3 6 10 AS SPECIFIED

**TOLERANCES**

	FABRICATION	MACHINING
HOLE CENTRES	±1mm	±0.25mm
DIAMETER	±3mm	±0.25mm
ANGULAR	±1°	±0.5°
LINEAR	±3mm	±0.5mm

**COPYRIGHT**

THIS DOCUMENT IS THE PRIVATE & CONFIDENTIAL PROPERTY OF HODGE CLEMCO LIMITED & MUST NOT BE REPRODUCED OR DISCLOSED TO ANY THIRD PARTY WITHOUT PRIOR WRITTEN CONSENT OF THE AFOREMENTIONED COMPANY.

**HC** HODGE CLEMCO LTD  
 HODGE CLEMCO LIMITED,  
 ORGREAVE DRIVE,  
 SHEFFIELD,  
 S13 9NR.  
 TEL. 0114 2540600  
 FAX. 0114 2540250

DO NOT SCALE - IF IN DOUBT ASK

TITLE G.A. IND 1500COMP XE SERIES PRESSURE CABINET SYSTEM

CUSTOMER STOCK

DRAWN	DATE	DIMENSION	SCALE
A.M.	22.11.2000	MM	1:15

DRAWING No	SIZE
HC-6661	A1